

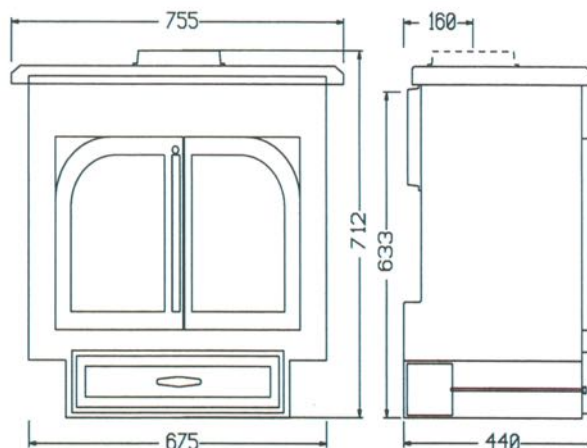
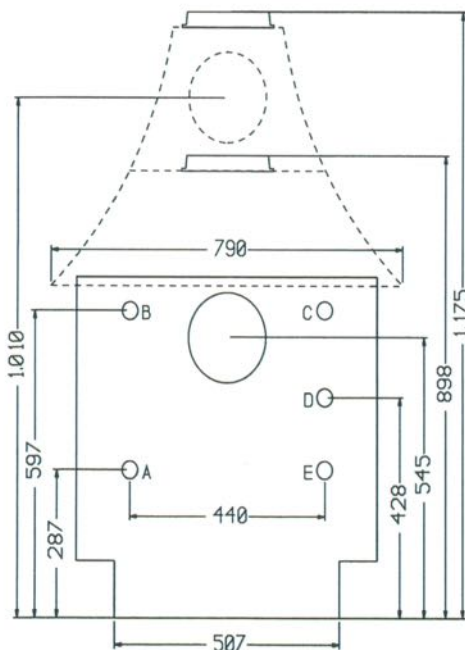
# Clearview 750

## Key Features

- 14KW gross heat output.
  - Unique adjustable door to ensure air-tight seal at all times.
  - Double glazed panel, ensuring the famous view of your flame.
  - Smoke control system allows for burning in clean air areas.
  - Solid construction, with any joints welded inside and out.
  - External air system can be used to duct combustion air directly INTO the stove as opposed to needing a vent in the room, minimising drafts
  - Independent air controls. Wood or coal burn equally well.
  - Produced and hand finished by craftsmen in the UK.
  - Clean Burning is better for fuel consumption and the environment.
  - Stainless Steel Ash pan.
  - Simple Overnight burning.
  - Trouble free lighting and maintenance.
  - Top or rear flue outlet at 175mm (7") diameter.
  - Chrome fittings as optional extra
  - Optional 10000 BTU Domestic Boiler, 27000 BTU Baffle Boiler or 45000 BTU Wrap Boiler Available
- Domestic boiler uses ports A & D, the other boilers use B,C,A,& E



Seven beautiful Colours to choose from, which are all on display at our showroom



|   |                   |
|---|-------------------|
|  | Conifer Green     |
|  | Welsh Slate Blue  |
|  | Golden Fire Brown |
|  | Mahogany Brown    |
|  | Honey Glow Brown  |
|  | Classic Black     |
|  | Charcoal          |

**Brand New showroom at  
Naghan Lodge. 200 Newcastle Road  
Seaforde County Down. BT30 8NU**

**Phone 028 44811783 (3 Lines)  
email [info@cdfs.co.uk](mailto:info@cdfs.co.uk)**

**or visit 6 days a week 9.30am - 5pm**

**discretionary later visits STRICTLY by appointment only**

COUNTY DOWN  
**STOVES  
& FLUES**



## The exclusive home of Clearview Stoves in Northern Ireland

A showroom dedicated to the wonderful world of Clearview stoves. Made in Shropshire, England, as opposed to mass produced in China, these products are famous for their crystal clear view of the fire. Unlike other stoves that rely on an airwash system over a single glazed door, which blackens the glass when slow burning, the view of a magical flame is assured with Clearview's unique double glazed door.

Made with British Steel and fully manufactured in the UK for almost 30 years, the stoves are renowned for their robust design and efficiency, ensuring you have a controlled fuel consumption and years of trouble-free use.

Clearview stoves are so clean burning, they were the first stove company in the world to have a stove approved to burn wood in smoke controlled areas throughout the UK and Ireland.

Combustion air is required from many stoves nowadays, especially as homes are striving to be more airtight. It is a requirement to have permanent ventilation to serve a combustion appliance with an output greater than 5 kW. A Clearview can have its air ducted directly to the stove from the outside world, rather than just ventilating the room, which reduces drafts in the home.

Clearview have put some thought into boilers also. Unlike most manufacturers on the market, Clearview boilers are optional and removable, meaning it can be either repaired or replaced without rendering the entire stove useless, protecting your investment. Be warned that a boiler (wet) stove will consume significantly more fuel than a dry model. The more work you ask a stove to do behind the scenes, the harder *you* will need to work feeding the combustion process. All too often this is not fully explained by unscrupulous retailers until it is too late.

Simple engineering is often the best and some of the features in the Clearview range have to be seen to be believed. In the trusted hands of Wendy and David Campbell, along with their knowledgeable sales and fitting staff, our unique approach to our clients will not only introduce you to this wonderful brand of stove, but will help to explain, select, design, and install the entire package for you, ensuring that before you are let loose, we educate you on the use of the stove to maximise its performance to give you years of pleasure and service.

David is currently chairman of the Northern Ireland Association of Chimney Sweeps (NIACS) and a technical advisor to Northern Ireland building control. He sat on a steering committee with the health and safety executive to launch the carbon monoxide awareness campaign in Northern Ireland and has delivered seminars to various organisations in the field of chimneys, flues and appliances. With this background and dedicated team specialising in one brand we all use every day, we believe you can not be in any safer hands when choosing what many of our clients consider to be one of the best products they have ever purchased for their home.

For independent reviews of Clearview stoves, visit [www.whatstove.co.uk](http://www.whatstove.co.uk)  
You can also visit our website at [www.csf.co.uk](http://www.csf.co.uk) for further information

