

The Flexible Steel Flue System Explained

Naghan Lodge 200 Newcastle Road Seaforde
County Down. Northern Ireland BT30 8NU

tel: 028 44811783

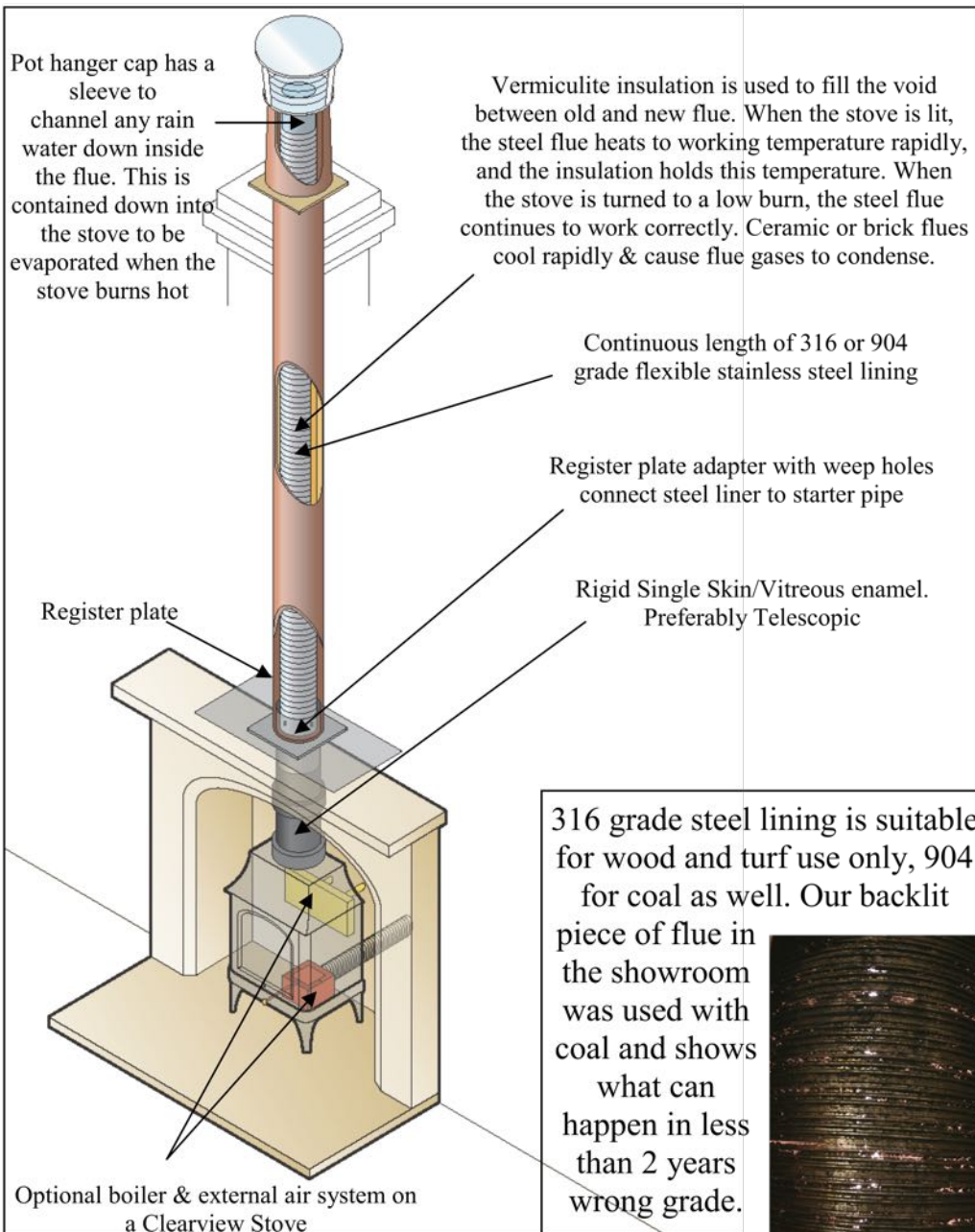
www.cdsf.co.uk info@cdsf.co.uk

COUNTY DOWN
**STOVES
& FLUES**



Heat loss from a property through the chimney of an open fire is staggering. Even if the fire is not lit, an open fire can circulate the air in your home up to 6 times an hour, taking your valuable heat with it. It is estimated that up to 60% of the warmth your central heating system produces is lost through an open chimney.

When lit, an open fire can lose up to 90% of the heat the fuel produces into the chimney. With this significant heat loss up the chimney, the efficiency of a good quality stove makes sense. Not only does a stove reduce heat loss when not lit, as the door is closed, but the heat from the slow burning fuel gives close to 80% efficiency meaning less fuel consumption, but more heat.

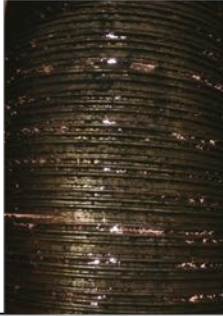


To encourage flue gases to rise, we install a flexible steel sleeve through the existing chimney system, connecting it directly to the rigid pipe coming off the stove. Once this has all been fitted, we backfill with vermiculite insulation.



With this type of system, when a stove is lit, the air vents are opened to establish a hot blazing fire. Once this has been achieved, the stove user will turn the appliance down to enjoy the radiant heat from a controlled burn. Meanwhile the steel liner has been brought up to optimum working temperature and the insulation around it helps to maintain this warmth.

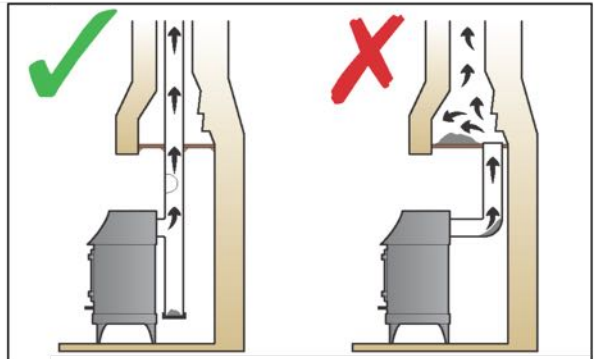
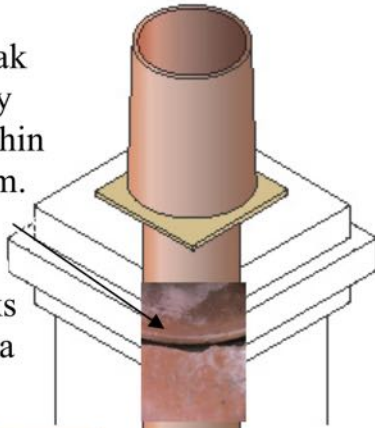
Building Regulations in Northern Ireland state it is necessary to reduce the diameter of the flue to suit the appliance you are fitting, as oversized flues can be unsafe. Reducing the flue dimensions to suit the stove is also advised by many manufacturers of stoves, especially Clearview Stoves. There seems little point in spending money on a highly efficient appliance, then using a flue that is larger than it needs to be, reducing the efficiency of the appliance.



Registered and Approved Master Chimney Technicians.
David Campbell is N.I. Association of Chimney Sweeps
Chairman, PR Manager and Instructor.
David gives seminars & presentations for N.I Building Control.



Condensate can leak from joints in clay liners anywhere within the chimney system. The deposit below was oozing from the wall just weeks after installing a stove.



A stove should only be vented from the rear as a last resort, and if doing so, a "t" section must be used. 90 degree bends are not allowed in solid fuel.



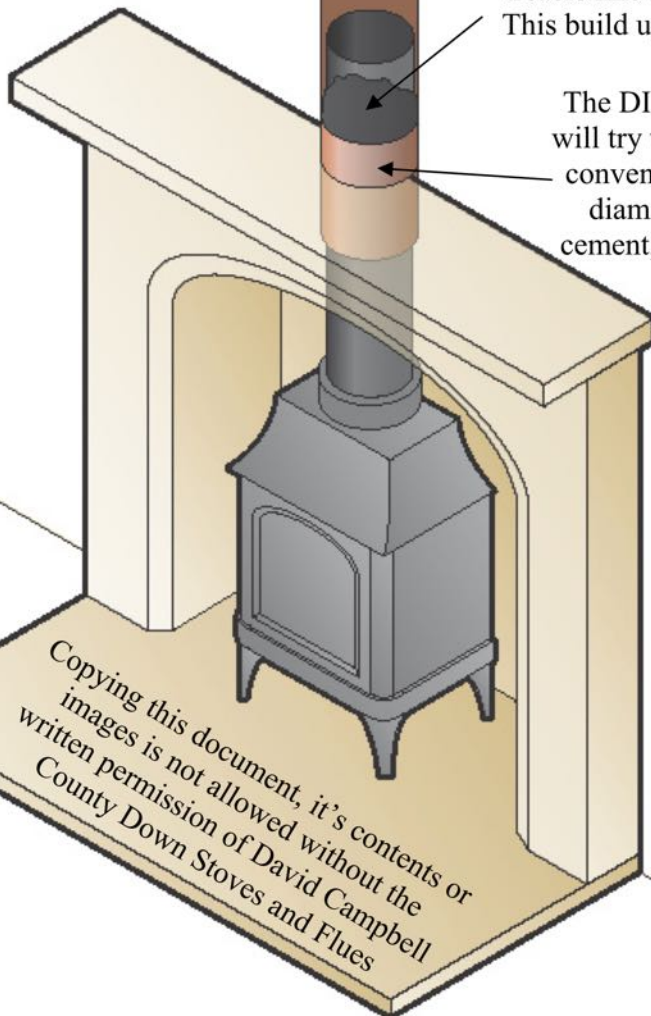
A larger diameter flue above the enamel pipe will over-rate the chimney system and reduce efficiency of the stove. The clay liners cool the gases and allow soot and tar to clog the flue leading to major chimney fires.



Condensate and tar deposit builds up above bung. Expansion and contraction of the vitreous pipe breaks down this bung leading to leakage of rainwater and treacle like substance called condensate. This build up is considered a fire hazard.



The DIY and Cowboy installer will try to create a bung between conventional flues and smaller diameter VE pipe with fire cement, silicone and fiberglass.



Copying this document, it's contents or images is not allowed without the written permission of David Campbell County Down Stoves and Flues



Some rogue retailers are offering "special adapters" to join stoves to flues. These sleeve up the INSIDE clay liners, allowing the condensates leak and contravenes building regulations, as a socket joint installed upside down.